



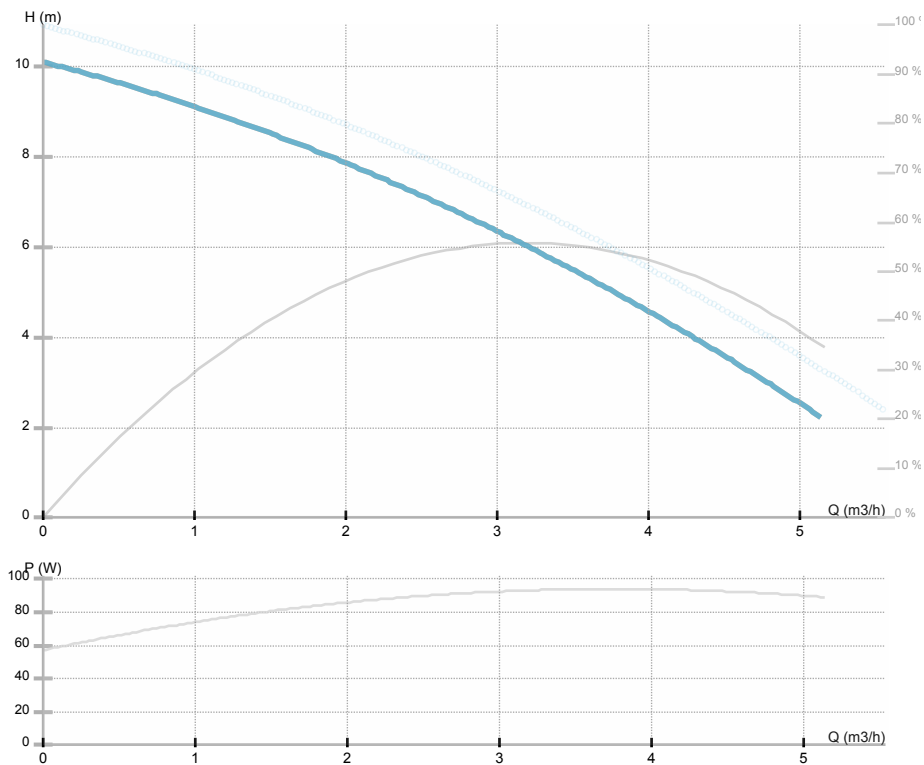
## NMT MINI 25/100-130

979527681

NMT MINI

### GENERAL

|                   |                            |                         |                            |
|-------------------|----------------------------|-------------------------|----------------------------|
| Product number    | <b>979527681</b>           |                         |                            |
| Product name      | <b>NMT MINI 25/100-130</b> | MEI                     | <b>/</b>                   |
| Seal type         | <b>/</b>                   | Energy efficiency index | <b>0.18</b>                |
| Net weight        | <b>1.65 kg</b>             |                         |                            |
| Head max. (H max) | <b>10.1 m</b>              | H min                   | <b>0.0 m</b>               |
| Flow max. (Q max) | <b>5.6 m<sup>3</sup>/h</b> | Q min                   | <b>0.0 m<sup>3</sup>/h</b> |
|                   | <b>%</b>                   |                         |                            |
| Noise             | <b>≤43 dB(A)</b>           |                         |                            |



### ELECTRICAL DATA

|                    |                   |
|--------------------|-------------------|
| Supply voltage     | <b>1~230 V</b>    |
| Mains frequency    | <b>50/60 Hz</b>   |
| Power input max.   | <b>90 W</b>       |
| Speed max.         | <b>6200 rpm</b>   |
| Insulation class   | <b>F (155 °C)</b> |
| Current max.       | <b>0.7 A</b>      |
| Protection class   | <b>IP44</b>       |
| Thermal protection | <b>NTC</b>        |
| Frame size         |                   |
| Motor IE class     | <b>/</b>          |

### INSTALLATION

|                        |                                   |
|------------------------|-----------------------------------|
| Pumped liquid          | <b>water VDI 2035, glycol 40%</b> |
| Liquid temperature     | <b>-10.0 ÷ 110.0 °C</b>           |
| Ambient temp. range    | <b>40 °C</b>                      |
| Port-to-port length    | <b>130 mm</b>                     |
| Pipe connection        | <b>25</b>                         |
| Pressure rating        | <b>G 1 ½</b>                      |
| Connection             | <b>G 1 ½</b>                      |
| Max operating pressure | <b>1.0 MPa</b>                    |

### MATERIAL

|            |                        |
|------------|------------------------|
| Bearing    | <b>all carbon</b>      |
| Impeller   | <b>Noryl Fe 1630PW</b> |
| Hydraulics | <b>gray cast iron</b>  |
| Shaft      | <b>AISI 420</b>        |

## **NMT MINI 25/100-130**

979527681

NMT MINI



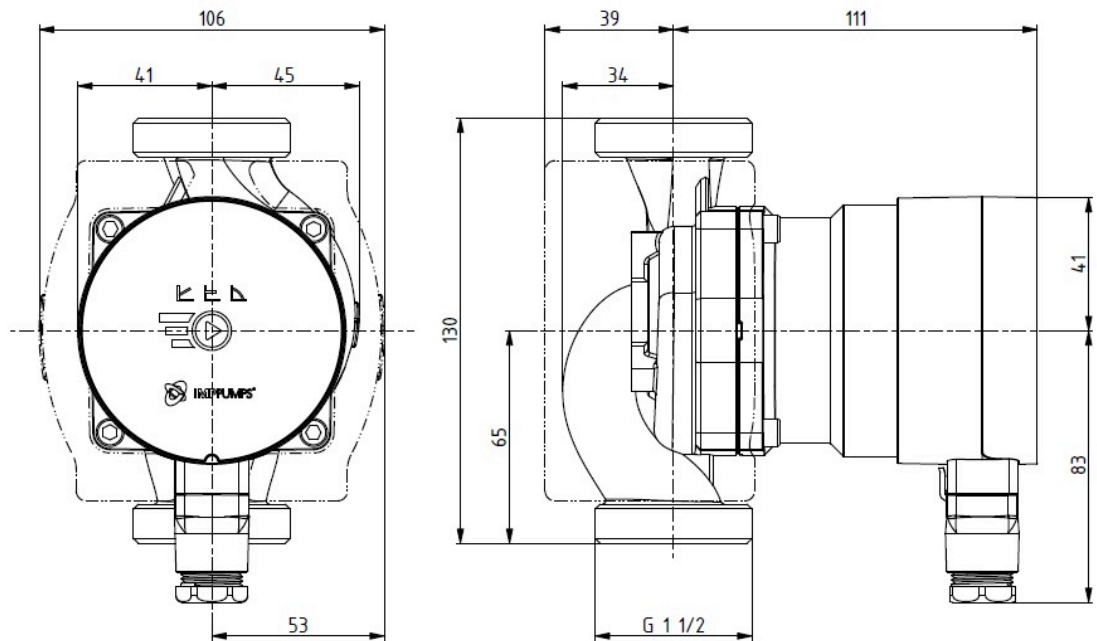


## NMT MINI 25/100-130

979527681

NMT MINI

Dimension drawing



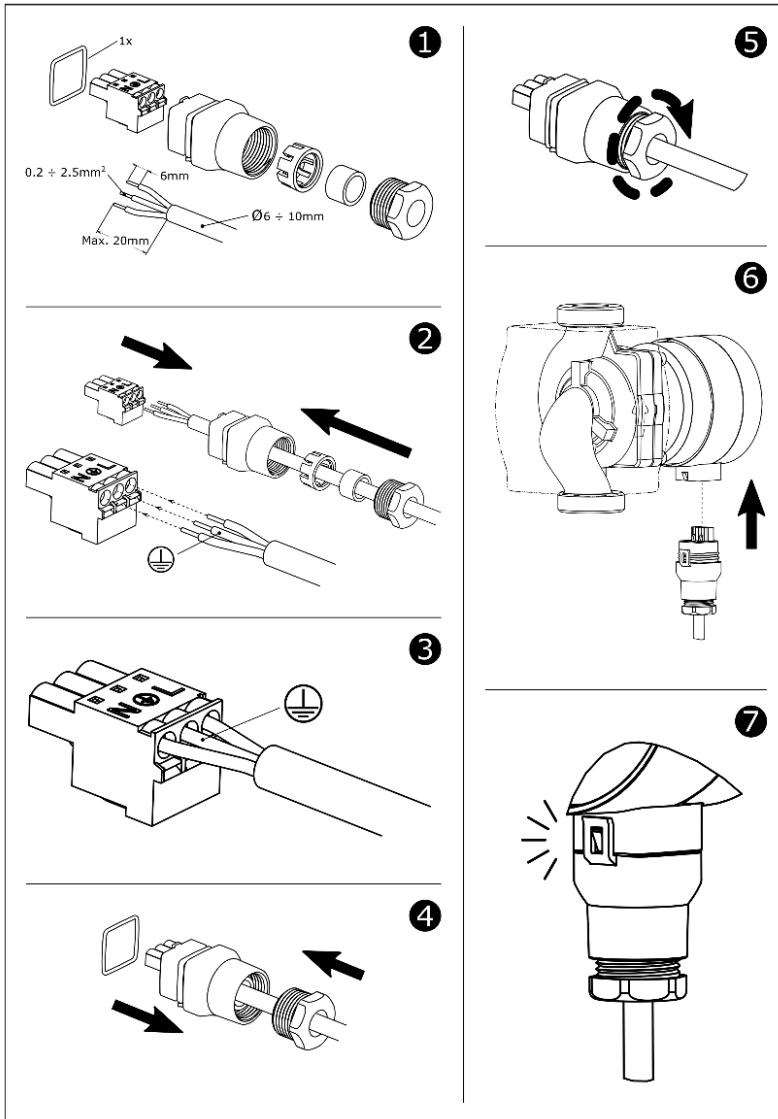


## NMT MINI 25/100-130

979527681

NMT MINI

### Electrical wiring





## **NMT MINI 25/100-130**

979527681

NMT MINI